

SPECIFICATION DATA SHEET

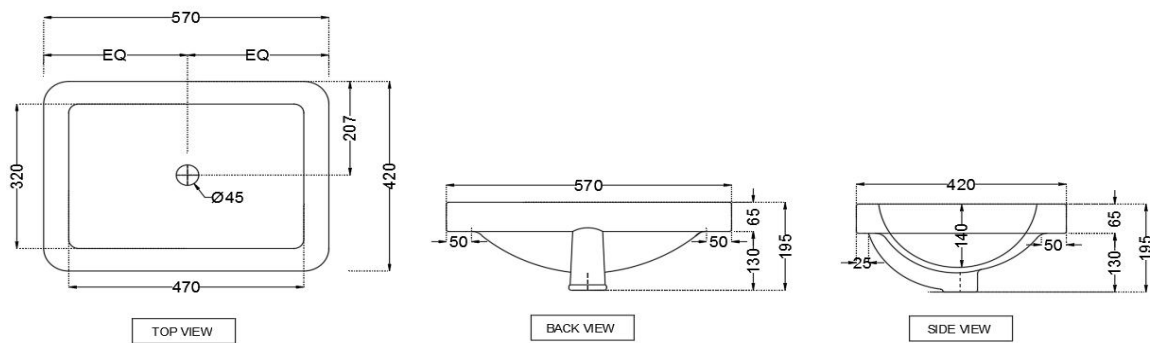
PRODUCT DETAILS

Manufacturer	Jaquar	Type:	Counter top basin
Outlet	Vertical	Colour:	White
Technical Details	ID of waste outlet hole $\varnothing 45 +2/-1$	Material:	Ceramic - Vitreous China
	Horizontal distance between the Bowl edge and the center line of the waste outlet hole ≤ 207 mm		

PRODUCT IMAGE



TECHNICAL DRAWING



Product Dimension	570x420x195 mm	FEATURES Rectangular shape with over flow hole and Anti Germ Glaze
Basin Inner Dimension	470x320x140 mm	
Product Weight	10.9 kg	
ACCESSORIES INCLUDED		
Overflow hole Cap		ZPS-WHT-9012A
Template		Template
CERTIFICATION		
Compliance: EN 14688 : 2015 (E) A, SANS 497:2011		
All technical dimensions are in accordance to British standards, Bureau of Indian Standards		

DISCLAIMER: Our every effort has been made to ensure factual accuracy, the information presented subject to changes due to requirements in different sites, markets and/ or countries. All dimensions are in mm (Tolerance ± 5 MM). Jaquar reserves the right to make the necessary amendments at any time without prior notice.