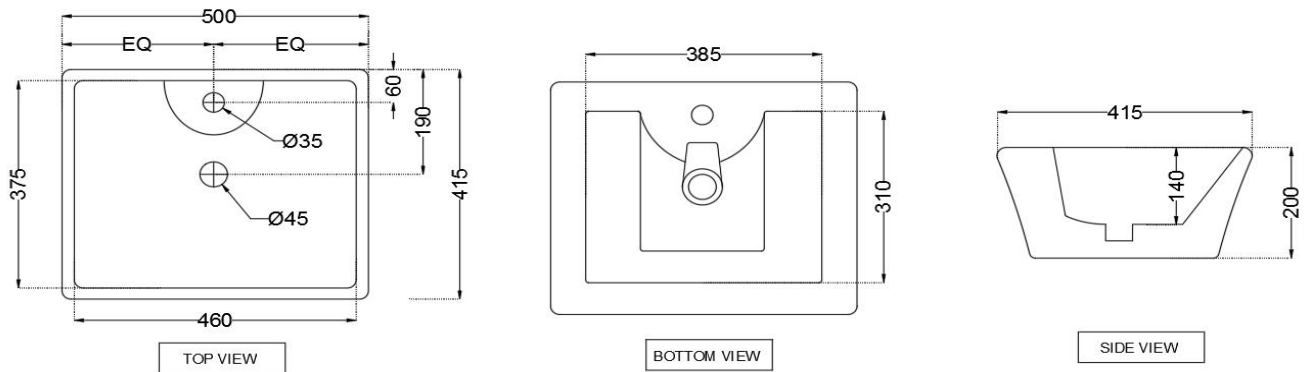


**SPECIFICATION DATA SHEET**
**PRODUCT DETAILS**

<b>Manufacturer</b>	Jaquar	<b>Type</b>	Table top basin
<b>Outlet</b>	Vertical	<b>Colour</b>	White
<b>Technical Details:</b>	Tap hole dia. $\varnothing 35 \pm 2$ mm	<b>Material</b>	Ceramic - Vitreous China
	ID of waste outlet hole dia. $\varnothing 45 \pm 3$ mm		
	Horizontal distance between the center line of the tap hole and the center line of the waste outlet hole $\leq 130$ mm		

**PRODUCT IMAGE**

**TECHNICAL DRAWING**


<b>Product Dimension</b>	500X415X200 mm	<b>FEATURES</b>  With tap hole and over flow hole, Anti germ glaze
<b>Basin Inner Dimension</b>	460X375X140 mm	
<b>Product Weight</b>	14.63 kg	

**ACCESSORIES INCLUDED**

Overflow hole Cap

ZPS-WHT-9012B

**CERTIFICATION**
**Compliance : EN 997 :2012+A1 2015 (E) ,MS 2578: 2014, AMD. 1: 2017., SANS 497:2011**

All technical dimensions are in accordance to British standards, Bureau of Indian Standards



DISCLAIMER: Our every effort has been made to ensure factual accuracy, the information presented subject to changes due to requirements in different sites, markets and/ or countries. All dimensions are in mm (Tolerance  $\pm 5$  MM). Jaquar reserves the right to make the necessary amendments at any time without prior notice.