



JDS-WHT-25903

SPECIFICATION DATA SHEET

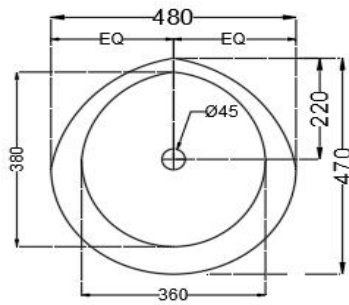
PRODUCT DETAILS

Manufacturer :	Jaquar	Type:	Table top basin
Outlet	Vertical	Colour:	White
Technical Details:	ID of waste outlet hole dia. $\varnothing 45 \pm 3$ mm	Material:	Ceramic - Vitreous China
	Horizontal distance between the Bowl edge and the center line of the waste outlet hole ≤ 220 mm		

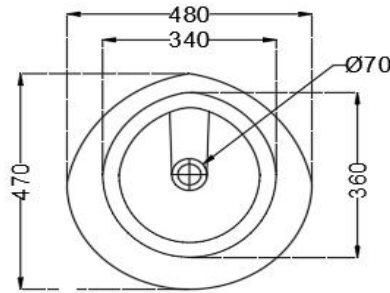
PRODUCT IMAGE



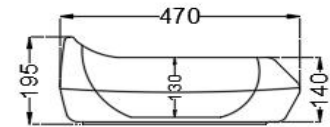
TECHNICAL DRAWING



TOP VIEW



BOTTOM VIEW



SIDE VIEW

Product Dimension	480x470x195 mm	FEATURES Anti germ glaze
Basin Inner Dimension	360X380X130 mm	
Product Weight	8.75 kg	

CERTIFICATION

Compliance : EN 14688 : 2015 (E) A, SANS 497:2011

All technical dimensions are in accordance to British standards, Bureau of Indian Standards



DISCLAIMER: Our every effort has been made to ensure factual accuracy, the information presented subject to changes due to requirements in different sites, markets and/ or countries. All dimensions are in mm (Tolerance ± 5 MM). Jaquar reserves the right to make the necessary amendments at any time without prior notice.