



ONS-WHT-10853S300UFSM

SPECIFICATION DATA SHEET

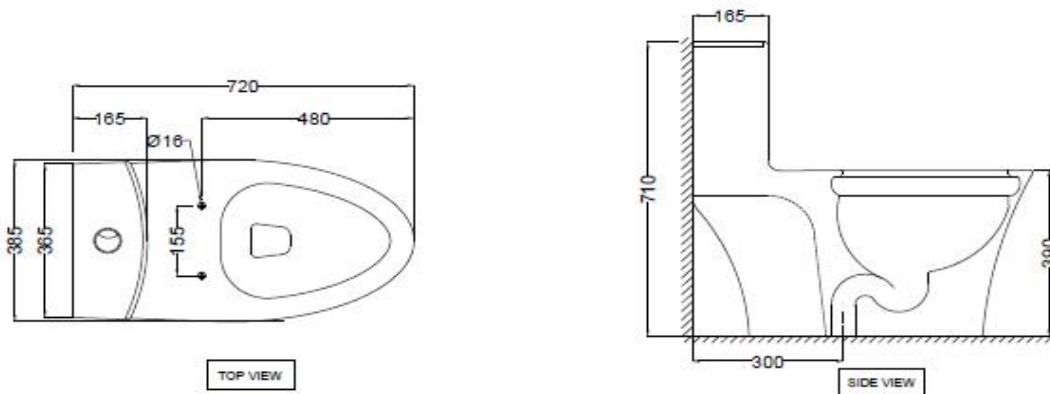
PRODUCT DETAILS

Manufacturer	Jaquar	Type	Single piece-WC (S trap)
Colour	White	Flush valves	Dual Flush
Outlet	Vertical	Material	Ceramic - Vitreous China
Technical Details:	External diameter of outlet hole \varnothing 80 mm Horizontal distance between the wall line and the centre line of the waste outlet hole \leq 300 mm		

PRODUCT IMAGE



TECHNICAL DRAWING



Product Dimension	385x720x710 mm	FEATURES Rimless with UF slim seat cover. Tornado flushing, Siphonic flushing, Low height cistern, Dual Flush-2.6/4.6 LPF, Anti germ glaze.
Trap Distance	S Trap - 300 mm	
Product Weight	45.3 kg	

ACCESSORIES INCLUDED

UF soft closing slim seat cover	ONS-WHT-10103
Floor fixing screw	ZPS-SNS-FB01
Wax Seal	ZPS-WHT-1401

CERTIFICATION

Compliance : EN 997 : 2012+A1:2015 (E), SASO 06-04-16-156, SANS 497:2011

All technical dimensions are in accordance to British standards, Bureau of Indian Standards



DISCLAIMER: Our every effort has been made to ensure factual accuracy, the information presented subject to changes due to requirements in different sites, markets and/ or countries. All dimensions are in mm (Tolerance \pm 5 MM). Jaquar reserves the right to make the necessary amendments at any time without prior notice.