



URS-WHT-13253N

**SPECIFICATION DATA SHEET**

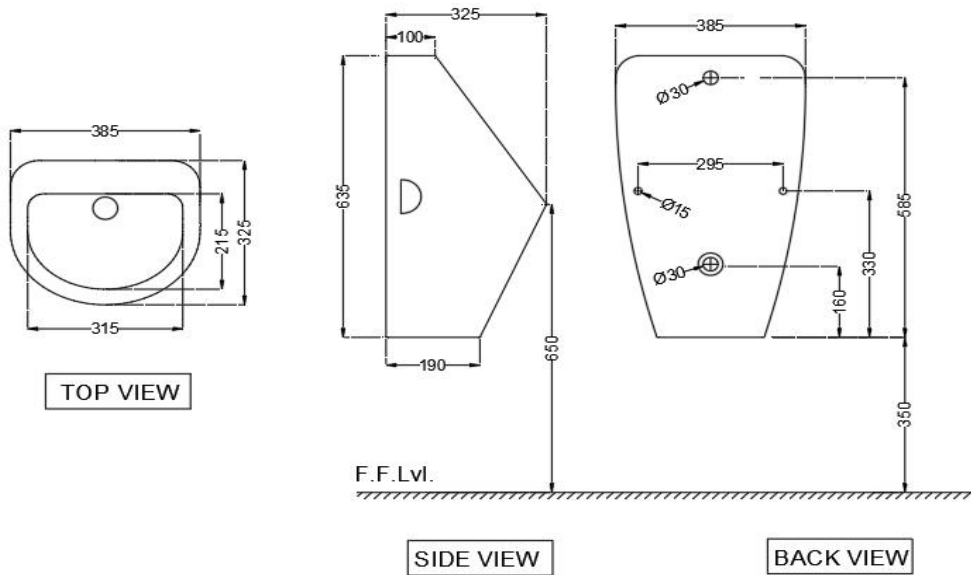
**PRODUCT DETAILS**

<b>Manufacturer :</b>	Jaquar	<b>Type:</b>	Urinal
<b>Outlet</b>	Horizontal	<b>Colour:</b>	White
<b>Technical Details:</b>	Inlet hole dia. $\varnothing 30 \pm 2$ mm	<b>Material:</b>	Ceramic - Vitreous China
	ID of waste outlet hole dia. $\varnothing 30 \pm 2$ mm Vertical distance between the centre line of the top Inlet and the centre line of the waste outlet hole $\leq 425$ mm		

**PRODUCT IMAGE**



**TECHNICAL DRAWING**



<b>Product Dimension</b>	385x325x635 mm	<b>FEATURES</b>
<b>Product Weight</b>	19 kg	Back Inlet, Flat Back, Anti Germ Glaze
<b>ACCESSORIES INCLUDED</b>		
Fixing Accessories Set		ZPS-WHT-UA02
Ceramic waste Dome		ZPS-WHT-UA05
<b>ACCESSORIES EXCLUDED</b>		
Urinal Sensor		SNR-STL-51077

**CERTIFICATION**

Compliance: EN 13407:2015 (E) A, SANS 497 : 2011

All technical dimensions are in accordance to British standards, Bureau of Indian Standards



DISCLAIMER: Our every effort has been made to ensure factual accuracy, the information presented subject to changes due to requirements in different sites, markets and/ or countries. All dimensions are in mm (Tolerance  $\pm 5$  MM). Jaquar reserves the right to make the necessary amendments at any time without prior notice.