

SPECIFICATION DATA SHEET

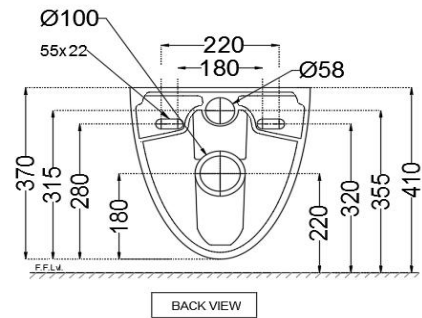
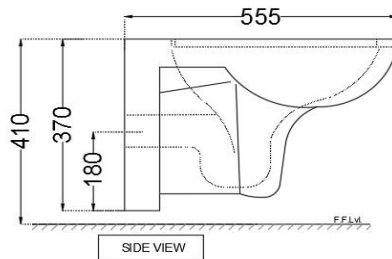
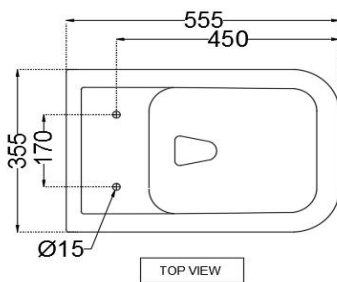
PRODUCT DETAILS

Manufacturer	Jaquar	Type	Wall Hung WC
Colour	White	Flush valves	Regular, Dual & I Flush advantages
Outlet	Horizontal	Material	Ceramic - Vitreous China
Technical Details	Internal diameter of inlet hole $\varnothing 58 +2 /-1$ mm External diameter of outlet hole $\varnothing 100 +5 /-2$ mm		

PRODUCT IMAGE



TECHNICAL DRAWING



Product Dimension	355x555x370 mm	FEATURES
Product Weight	18.69 KG	Rimless bowl design, Trap glaze, Slim seat cover, Dual Flush-3/6 LPF, Anti germ glaze.
ACCESSORIES INCLUDED		
PP Soft Close Slim Seat cover		FLS-WHT-5103SM
Inlet & Outlet gasket		ZPS-WHT-GK01
ACCESSORIES EXCLUDED		
Rag bolt		ZPS-SNS-RB01
Concealed Cistern		JCS-WHT-2400S, 2400FS, 2400WS
CERTIFICATION		

Compliance : EN 997:2012 + A1:2015 (E), SANS 497:2011

All technical dimensions are in accordance to British standards, Bureau of Indian Standards



DISCLAIMER: Our every effort has been made to ensure factual accuracy, the information presented subject to changes due to requirements in different sites, markets and/ or countries. All dimensions are in mm (Tolerance ± 5 MM). Jaquar reserves the right to make the necessary amendments at any time without prior notice.