



# LAS-WHT-91803+LAS-WHT-91303

## SPECIFICATION DATA SHEET

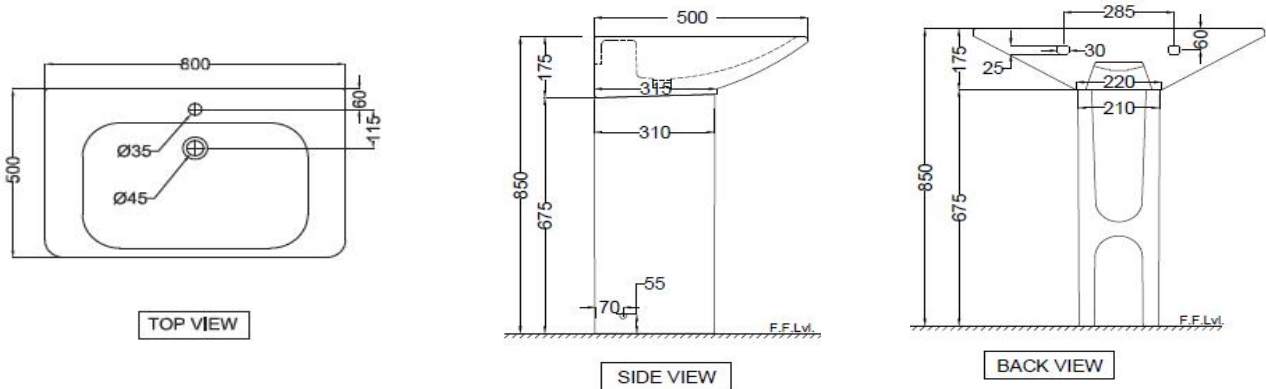
### PRODUCT DETAILS

<b>Manufacturer :</b>	Jaquar	<b>Type:</b>	Wall Hung Basin with full pedestal
<b>Outlet</b>	Vertical	<b>Colour:</b>	White
<b>Technical Details:</b>	Tap hole dia. $\varnothing 35 \pm 2$ mm	<b>Material:</b>	Fine Fire Clay
	ID of waste outlet hole dia. $\varnothing 45 \pm 3$ mm	Horizontal distance between the centre line of the tap hole and the centre line of the waste outlet hole $\leq 115$ mm	

### PRODUCT IMAGE



### TECHNICAL DRAWING



<b>Product Dimension</b>	800x500x175 mm	<b>FEATURES</b> Exclusive design with soft corner,, Rectangular shape, Basin with tap hole, with fixing rag bolt,Anti germ glazed
<b>Basin Inner Dimension</b>	600x400x120 mm	
<b>Product Weight</b>	21.0 +12.5 kg	

### ACCESSORIES INCLUDED

Rag bolt

ZPS-MST-RB03

### CERTIFICATION

Compliance: EN 14688 : 2015 (E) A, SANS 497:2011

All technical dimensions are in accordance to British standards, Bureau of Indian Standards



DISCLAIMER: Our every effort has been made to ensure factual accuracy, the information presented subject to changes due to requirements in different sites, markets and/ or countries. All dimensions are in mm (Tolerance  $\pm 5$  MM). Jaquar reserves the right to make the necessary amendments at any time without prior notice.