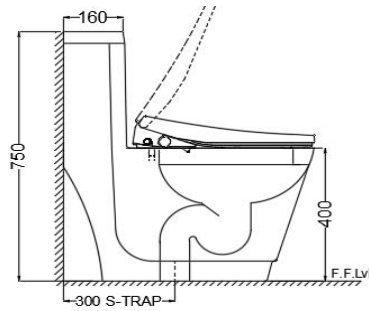


TOP VIEW



SIDE VIEW

General Information

Product Code	ITS-WHT-15853S300PP
Brand	Jaquar
Colour	White
Type	Single piece-WC - S TRAP
Material	Ceramic-Vitreous China (VC)

Product Specification

Product Dimension	360x675x750 mm
Bowl Opening (Inner Dimension)	290x340 mm
Product Net Weight	44.5 kg.
Product Gross Weight	48.5 kg
Packaging Dimension	400x680x755 mm

Outlet	Vertical
Trap Distance	S Trap - 300 mm
Inlet And Outlet Hole Dimension	Internal diameter of inlet hole dia. $\varnothing 58 \pm 3$ mm
	External diameter of outlet hole dia. $\varnothing 100 \pm 5$ mm

Product Features	<p>1. Rimless bowl design, 2. Siphonic effect, 3. Tornado Flushing 4. Dual Flush-2.6/4.6 LPF 5. Anti germ glaze Intelligent Seat with following features:</p> <ol style="list-style-type: none"> 1. Adjustable seat temperature - 33/37°C 2. Adjustable water temperature - 35/38°C 3. Adjustable air temperature - 33/38/43°C 4. Anti-bacterial seat/nozzle/ceramic 5. LED night light, 6. Air dryer, 7. Front & rear wash nozzle 8. Adjustable water pressure 9. Instant heating technology, 10. Self-cleaning, 11. Water massage cleaning
------------------	---

ACCESSORIES PROVIDED

Electronic PP Seat cover	ITS-WHT-89107
Wax Seal	ZPS-WHT-1401
Floor fixing screw	ZPS-SNS-FB01

CARE AND CLEANING GUIDELINES

- Vitreous china sanitary ware products are fragile in nature and need to be handled with care (to avoid personal injury) at all times during its storage, handling, installation and use thereafter.
- The product is heavy and it is recommended that two persons hold it while it is being fixed.
- Carefully inspect the new product for damage before installation.
- Risk of product damage. Over tightening may cause breakage or chipping of vitreous china.
- Risk of external leakage. Do not lift or rock the bowl after placement.
- Always test your cleaning solution on an inconspicuous area on the product before applying it to the entire surface.
- Do not allow cleaners to sit or soak on the product.
- Use a soft, dampened sponge or cloth to clean. Never use abrasive material like a bristle brush or scouring pad.
- Wipe surfaces clean and rinse completely with water immediately after applying cleaners.
- Clean Chrome, stainless steel surfaces once a week. Do not use cleaners containing chloride on chrome, stainless steel. If used, rinse the surface immediately to prevent corrosion.
- Wherever chrome plating is used on the products, use only warm water to clean and then dry with a soft cloth.

QUALITY MANAGEMENT SYSTEM - ISO 9001



DISCLAIMER: Our every effort has been made to ensure factual accuracy, the information presented subject to changes due to requirements in different sites, markets and/or countries. All dimensions are in mm (Tolerance ± 5 MM). Jaquar reserves the right to make the necessary amendments at any time without prior notice.

For Installation Refer Actual Product

Prepared by

Mahesh Kumar

Checked by

Approved by