

### MIRA 30W

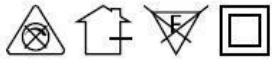
MIRA

**Projector Lights**

**Product Code:**

5521LL30H.INX

30W - 2700lm - 3000K - CRI>80 Ra - Beam Angle 60°



### Technical Specifications

Operating Temperature	-10°C to 40°C
Rated Input Voltage & Frequency	230 VAC, 50Hz
Rated Input Wattage	30W ± 10%
Rated Input Current	0.140 Amp.
Power Factor	≥0.9
Rated Luminous Flux	2700 lm (tolerance as per BIS)
Rated Luminaire Efficacy	90 lm/W (tolerance as per BIS)
Correlated Color Temperature (CCT)	3000 K (tolerance as per ANSI)
Color Rendering Index (CRI)	>80 Ra
Beam Angle	60° (within the permissible limits)
Driver Efficiency	≥85%
LED Life Span	>50000 Hrs (Ta=25°C @L70)
Housing	Die Cast Aluminium and Stainlaess Steel AISI 316L frame/Ring
Lens / Reflector	Transparent Glass Diffuser
Mounting	Surface/Ground

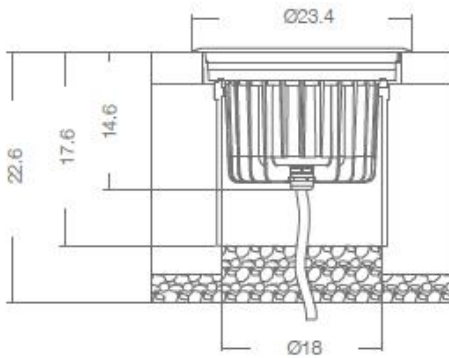
### Protections

Over Voltage Protection	Withstand upto 300V/AC for 20 Min.
Surge Protection	±2.0KV
Protection Class	Class II
Ingress Protection (IP Rating)	IP67
Impact Protection (IK Rating)	IK10
Short Circuit Protection	Provided
Open Circuit Protection (No Load)	Provided
Reverse Polarity Protection	Provided

All technical data is subject to industry-standard tolerances.

## Product Dimensions (Dia. x H)

Ø234 X 176 mm



## Applications

Façade lighting, Accent lighting, Atriums and columns,  
Architectural lighting, Varied beam angle applications