

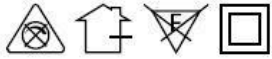
2X6W LED UP & DOWN WALL LIGHT 12W

Outdoor Luminaire

Product Code:

LWWL04X206XW

12W - 720lm - 3000K - CRI>70 Ra - Beam Angle - 120°



Technical Specifications

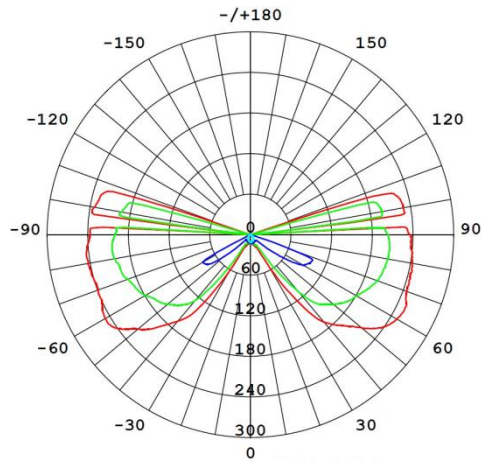
Operating Temperature	-10°C to 40°C
Rated Input Voltage & Frequency	220 ~ 240 VAC, 50Hz
Rated Input Wattage	12W ± 10%
Rated Input Current	0.060 Amp (Nominal)
Power Factor	≥0.9
Rated Luminous Flux	720 lm (tolerance as per BIS)
Rated Luminaire Efficacy	60 lm/W (tolerance as per BIS)
Correlated Color Temperature (CCT)	3000 K (tolerance as per ANSI)
Color Rendering Index (CRI)	>80 Ra
Driver Efficiency	≥80%
LED Life Span	>50000 Hrs (Ta=25°C @L70)
Housing	Aluminium Die Cast with Black Powder Coating
Lens / Reflector	Transparent Glass Diffuser
Mounting	Wall

Protections

Over Voltage Protection	Withstand upto 300V/AC for 4 Hrs.
Surge Protection	±2.0KV
Ingress Protection (IP Rating)	IP54
Impact Protection (IK Rating)	IK08
Short Circuit Protection	Provided
Open Circuit Protection (No Load)	Provided
Reverse Polarity Protection	Provided

All technical data is subject to industry-standard tolerances.

Light Distribution

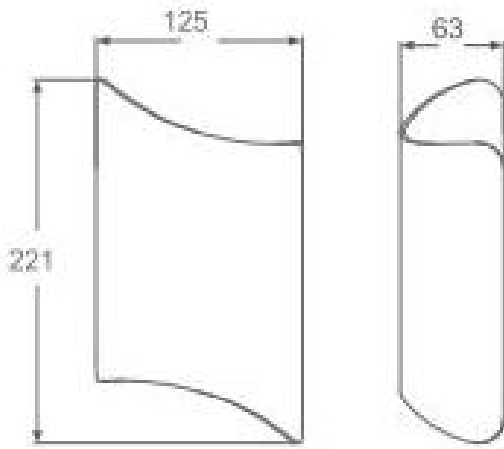


UGR Table

ceiling/cavity	0.7	0.7	0.5	0.5	0.3	0.7	0.7	0.5	0.5	0.3		
walls	0.5	0.3	0.5	0.3	0.3	0.5	0.3	0.5	0.3	0.3		
working plane	0.2	0.2	0.2	0.2	0.2	0.2	0.2	0.2	0.2	0.2		
Room dimensions	Viewed crosswise					Viewed endwise						
x = 2H y = 2H	2H	18.9	20.5	19.4	21.1	21.7	7.8	9.4	8.3	10.0	10.6	
	3H	22.6	24.1	23.2	24.7	25.4	7.7	9.2	8.2	9.8	10.5	
	4H	24.6	26.0	25.2	26.7	27.4	7.5	9.0	8.1	9.6	10.3	
	6H	26.7	28.1	27.3	28.7	29.5	7.4	8.8	8.0	9.4	10.1	
	8H	27.9	29.2	28.5	29.9	30.6	7.3	8.6	7.9	9.3	10.0	
	12H	29.2	30.5	29.8	31.2	31.9	7.2	8.5	7.8	9.2	9.9	
	4H	2H	19.3	20.7	19.9	21.4	22.1	14.2	15.7	14.8	16.3	17.0
		3H	23.3	24.6	24.0	25.3	26.1	15.0	16.3	15.6	17.0	17.7
		4H	25.6	26.8	26.2	27.4	28.2	14.8	16.1	15.5	16.7	17.5
		6H	28.0	29.1	28.6	29.8	30.6	14.7	15.8	15.4	16.5	17.3
		8H	29.3	30.3	30.0	31.0	31.8	14.6	15.7	15.3	16.4	17.2
		12H	30.8	31.7	31.5	32.5	33.3	14.5	15.5	15.2	16.2	17.1
	8H	4H	25.7	26.8	26.4	27.5	28.3	18.4	19.5	19.1	20.2	21.0
		6H	28.6	29.5	29.3	30.2	31.1	18.3	19.2	19.0	19.9	20.8
		8H	30.2	31.0	30.9	31.8	32.6	18.2	19.1	19.0	19.8	20.7
		12H	32.0	32.7	32.7	33.5	34.4	18.2	18.9	18.9	19.7	20.6
	12H	4H	25.7	26.7	26.4	27.4	28.2	20.1	21.1	20.8	21.8	22.7
		6H	28.6	29.5	29.4	30.2	31.1	20.6	21.5	21.4	22.2	23.1
		8H	30.4	31.1	31.1	31.9	32.8	20.6	21.3	21.3	22.1	23.0
Variations with the observer position at spacings (CIE Pub.117):												
	S = 1.0H	+ 0.1 / - 0.1					+ 0.1 / - 0.1					
	1.5H	+ 0.2 / - 0.3					+ 0.4 / - 0.3					
	2.0H	+ 0.3 / - 0.4					+ 0.6 / - 0.6					

Product Dimensions (LXWXH)

Ø125 X 63 X 221 mm (Tol.±5 mm)



Applications

Residences, Offices, Small Retail Shops, Hotels, Coffee Shops, Restaurants, Hospitals, area lighting and for other indoor applications.